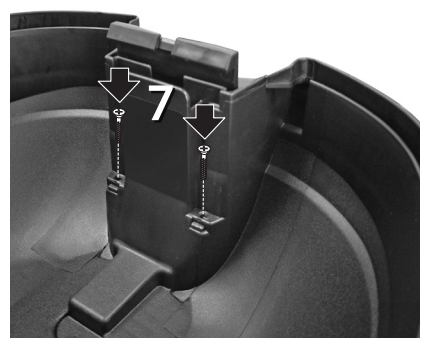
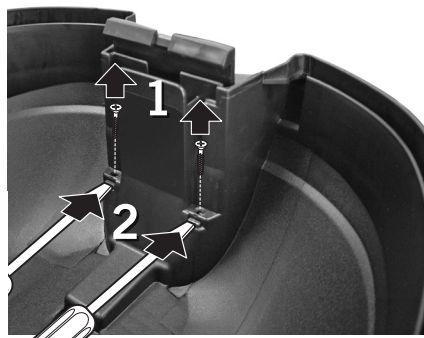
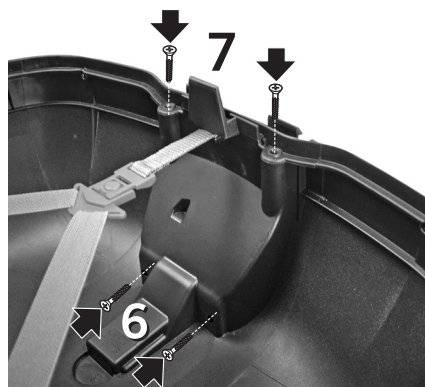
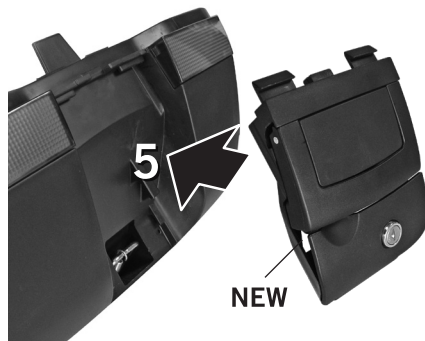
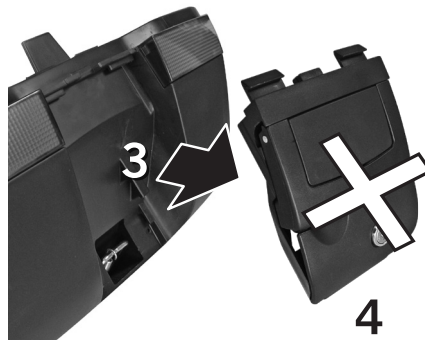
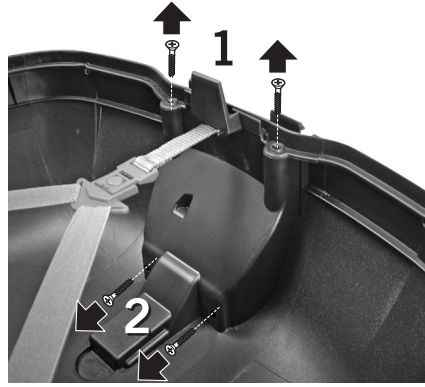


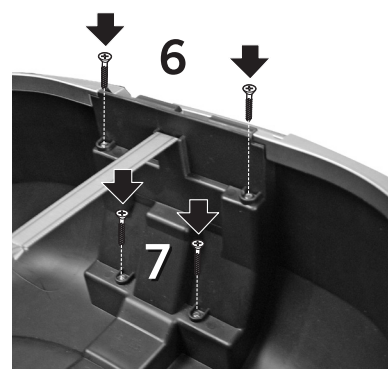
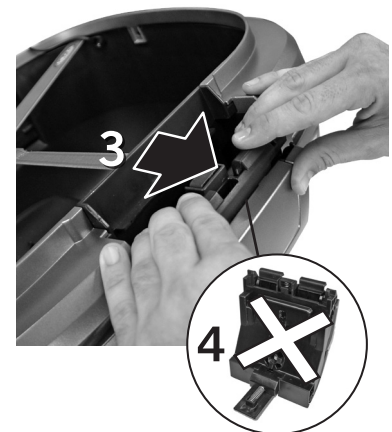
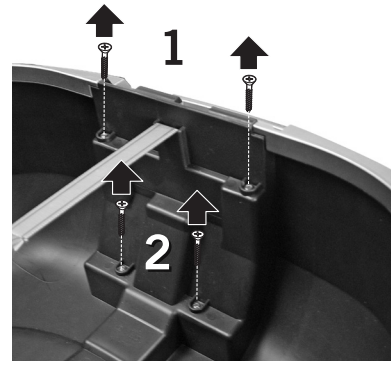
SH26-SH29
SH33-SH37



SH40-SH45
SH40 CARGO



SH48-SH49
SH50



LOCK SET
ASSEMBLY
SH48-SH49-SH50

